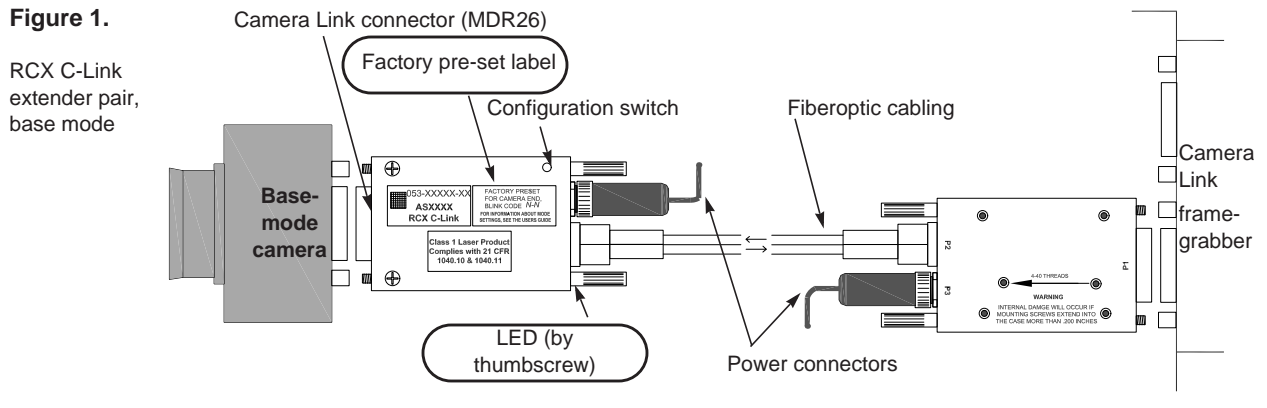


# RCX C-Link Extender Pair: Base Mode Configuration

Each RCX C-Link unit comes with factory presets, as well as the ability to reset them. For a quick start, see [Figure 1](#) and follow the steps below. For complete documentation of EDT extenders and framegrabbers, see [edt.com](#).



**Step 1 – Verify presets.** On each unit’s factory preset label (circled in [Figure 1](#) above), find “Blink Code X-Y.”

“X” is the device to which the unit connects (1 for camera, 2 for framegrabber); Y is the link rate between units. The camera’s output pixel clock rate must fall within this range.

[Table 1](#) below shows the blink codes.

Unit connects to	Blink codes for RCX C-Link			
	Code (X- Y)	Pixel clock rate	Bits per clock	Link rate between units
camera	1-1	20–40 MHz	8–24	1.25 Gb/s
camera	1-2	20–60 MHz	8–16	1.25 Gb/s
camera	1-3	20–60 MHz	8–24	2.50 Gb/s
camera	1-4	60–80 MHz	8–24	2.50 Gb/s
framegrabber	2-1	40 MHz	8–24	1.25 Gb/s
framegrabber	2-2	60 MHz	8–16	1.25 Gb/s
framegrabber	2-3	60 MHz	8–24	2.50 Gb/s
framegrabber	2-4	80 MHz	8–24	2.50 Gb/s

Each extender unit must be used as its settings dictate. Data will not transfer if a unit is plugged into the wrong device (i.e., a camera-end unit into a framegrabber, or a framegrabber-end unit into a camera); if the camera’s pixel clock rate falls outside the preset range; or if the pixel clock rate and the link rate for the two VisionLink RCX units do not match. In such cases you must reset and relabel each unit. For details, see the user’s guide and video tutorial ([edt.com/vision](#)).

**Step 2 – With all power off, connect all devices.** Connect the camera-end extender unit to the camera; the framegrabber-end unit to the framegrabber; the cabling between the two units; and lastly, the units to the power supply.

**Step 3 – Power on all devices.** In any order, power on all cameras, computers, and RCX units. Each unit’s LED (circled in [Figure 1](#)) should blink briefly, then stay steady green; if not, see the RCX C-Link user’s guide for troubleshooting.

**NOTE** – If you use an EDT FOX framegrabber, this guide applies to the camera end but not the framegrabber end (since the FOX has the extender built in). Also, medium- and full-mode cameras (indicated by two connectors on the back) require specially configured extender units; using four base-mode units will not work. Contact EDT for options.